

# PR-PSA-ND100

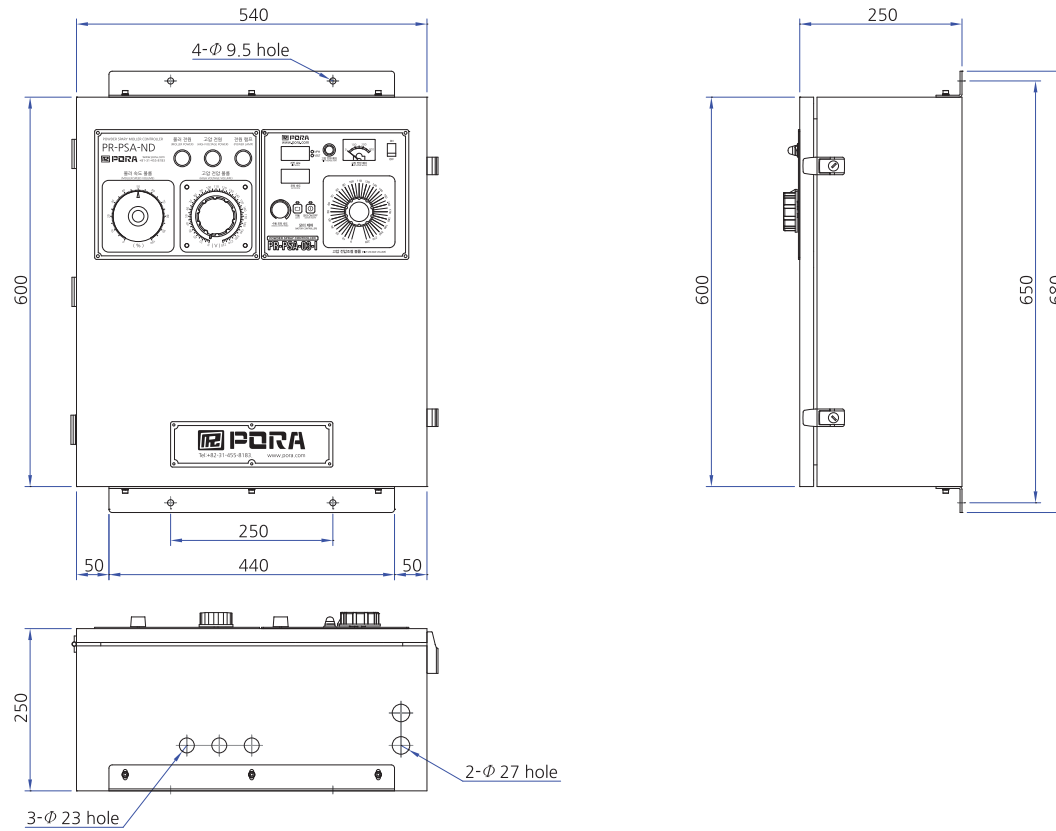
Powder Spray Controller  
- Shatter Proof Type

This is an exclusive controller for powder sprayer.  
High voltage transformer and moller control inverter are equipped.  
(Shatter-proof type)



※ The content of this leaflet may be changed without prior notice, for which we request your kind understanding.

## DIMENSION



## SPECIFICATIONS

Product Name	PR-PSA-ND100	
Output / BLDC Motor	24Vdc - 3A (50Hz - Option)	
Output / Moller	3 Phase 220Vac, 60Hz- 200W (50Hz - Option)	
High Voltage T.R	Input: Single - phase 220Vac, 60Hz	Output: 12000Vdc (50Hz - Option)
Power and Voltage	220Vac, 60Hz (50Hz - Option)	
Weight	50kg	